

TB 16-24

BUILT FOR HEAVY-DUTY HAULAGE...



Whether your work is arable, vegetable or silage, TB will haul the lot. Available from 21.7m³ through to 51m³, TB could be the only trailer you need.

Robust chassis – all models mounted on either an 8 or 10 mm RHS chassis.

Heavy-duty commercial axles – on tandem springs and a sprung drawbar featuring a leaf spring ensures the ride is smooth on all terrains – partially or fully loaded.

Hydraulic braking system – works in tandem with the tractor, vital for sudden braking.

Heavy-gauge sides – plus strengthening channels and heavy-gauge floors with hollow section runners at 300 mm centres.

Long reach chromed tipping cylinders deliver approximately 50° of tip.

Hydraulic rear door – features a lock valve to secure the door tightly, and a safety valve, to prevent the door being opened when the trailer is in the down position.

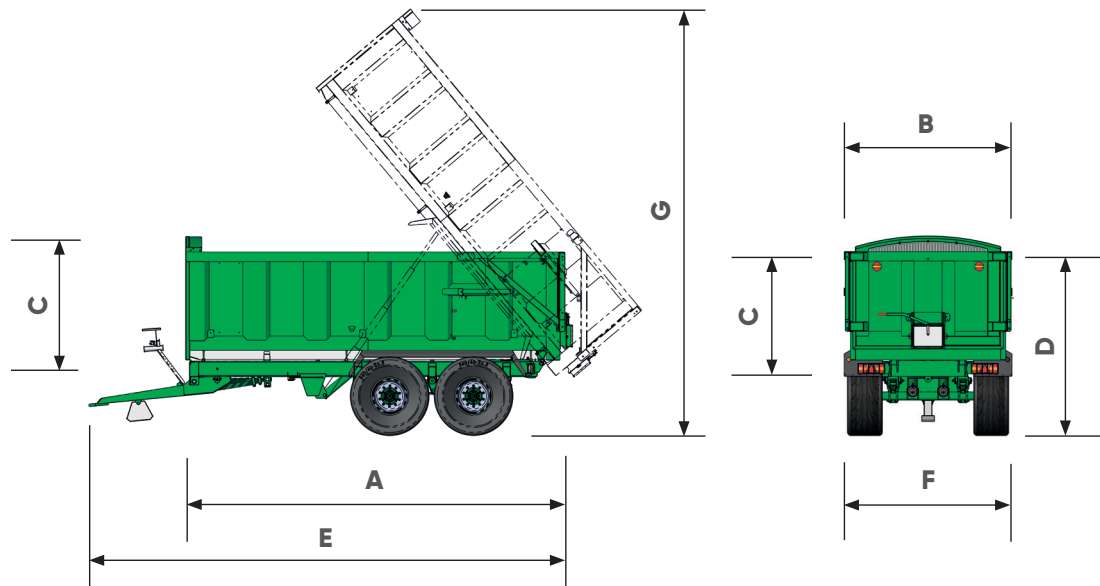
Long reach 2 way rams – retained in any position to allow controlled discharge of free flowing loads, plus greater clearance for heaped loads.



STANDARD FEATURES

- ▼ Air brakes and load sensing
- ▼ Sprung drawbar
- ▼ Hydraulic brakes
- ▼ TB 16-20
2 x com/10 stud axles
- ▼ TB 22-24
3 x com/10 stud axles
- ▼ Heavy-duty EN8 towing eye
- ▼ Parking brakes
- ▼ Hydraulic door
- ▼ Skid & skid carrier
- ▼ Hydraulic hose carrier
- ▼ Rear LED lights
- ▼ Ladder
- ▼ Rear top lights
- ▼ LED beacon
- ▼ Plastic mudguards and flaps 16 - 20
- ▼ Metal mudguards and flaps 22 - 24
- ▼ Chromed rams
- ▼ Number plate holder
- ▼ Body prop
- ▼ Anti-chip paint on headboard





Model			TB 16	TB 18	TB 20	TB 22	TB 24
Dimensions							
Body length	A	mm	6600	7200	7800	8400	9000
Body width	B	mm	2500	2500	2500	2500	2500
Body height	C	mm	1375	1375	1375	1375	1375
Loading height	D	mm	2700	2700	2800	2800	2950
Overall length	E	mm	8280	8890	9500	10110	10720
Overall width	F	mm	2760	2760	2760	2760	2760
Tipped height	G	mm	7500	8000	8500	9100	9750
Body capacity		m ³	21.7	23.7	25.7	30.7	32.9
Misc.							
Hydraulic oil	L		36.5	40.0	46.0	52.0	60.0
Number of axles			2			3	
Axle beam	mm/studs		2xcom/10			3xcom/10	
Brake size			420x180		420x220	420x180	
Brake option			H/A				
Tyre size			385/65 R22.5			445/65 R22.5	
Bottom chassis			250x150 RHS			300x150 RHS	
Top chassis			150x100 RHS			200x100 RHS	

BAILEY TRAILERS LIMITED

Pride Parkway, Sleaford, Lincolnshire NG34 8GL

☎ +44 (0) 1529 303411 ✉ sales@baileytrailers.co.uk 🏠 baileytrailers.co.uk