

ROOT SPECIALS

WHEN YOU'RE LIFTING ROOT CROPS...



Root Specials are designed specifically to meet the needs of root crop businesses.

Longer and lower – than standard grain trailers.

Arched window – for improved visibility when loading.

Long reach chromed cylinders – capable of achieving approximately 50° of tip.

Root trailers are tough operators – an 8 or 10 mm

Hydraulic braking system – works in tandem with the tractor, vital for sudden braking.

RHS chassis – provides the core strength.

Heavy-gauge sides – plus strengthening channels and heavy-gauge floors with hollow section runners at 300 mm centres.

Rugged side ladders – aid stability for operators when working above the trailer height.

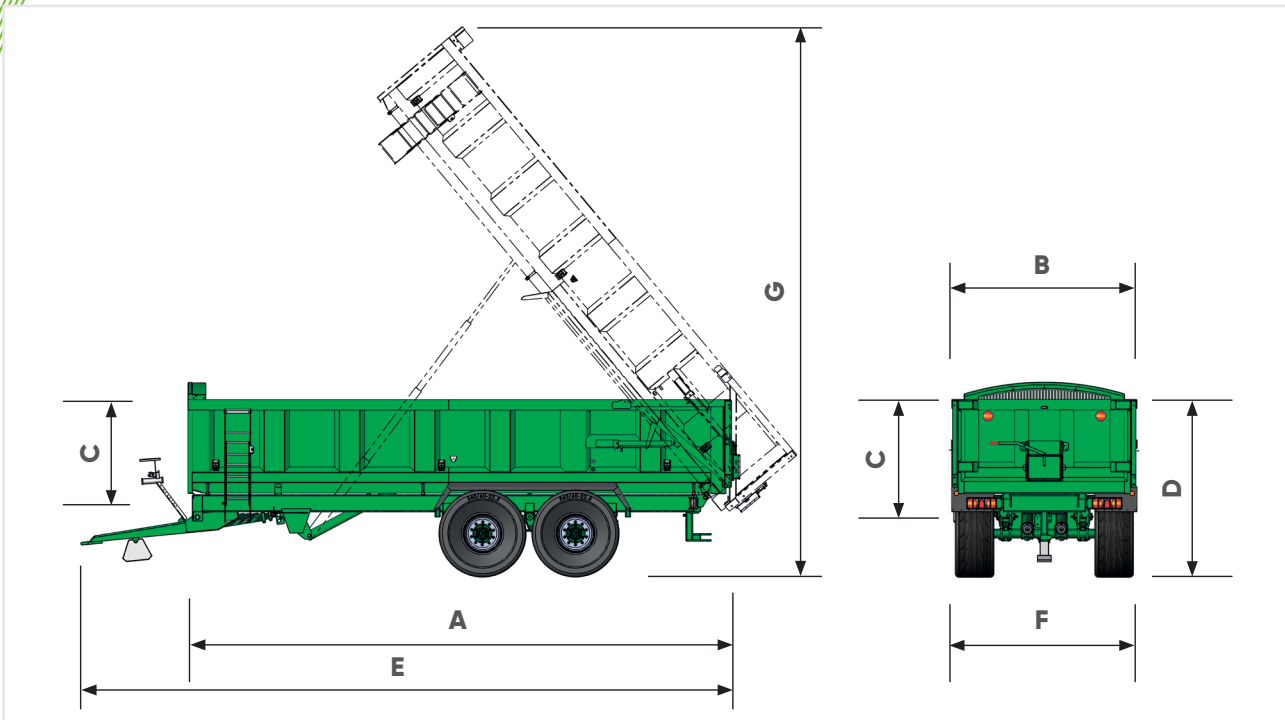
Heavy-duty commercial axles – on tandem springs and a sprung drawbar featuring a leaf spring ensures the ride is smooth on all terrains – partially or fully loaded.



STANDARD FEATURES

- ▼ Air brakes and load sensing Root 15-24
- ▼ Sprung drawbar
- ▼ Hydraulic brakes
- ▼ Root 12-18
 - 2 x com/10 stud axles
- ▼ Root 20
 - 3 x com/10 stud axles
- ▼ 385/65 R22.5 tyres
- ▼ Heavy-duty EN8 towing eye
- ▼ Parking brakes
- ▼ Hydraulic rear door
- ▼ Arched full front window
- ▼ Skid full front window
- ▼ Skid & skid carrier
- ▼ Hydraulic hose carrier
- ▼ LED lights
- ▼ Side Ladder
- ▼ Rear top lights
- ▼ LED beacon
- ▼ Plastic mudguards with flaps
- ▼ Metal mudguards 20 tonne model
- ▼ Chromed rams
- ▼ Body prop
- ▼ Anti-chip paint on headboard
- ▼ Number plate holder
- ▼ Commercial axles





Model		ROOT 12	ROOT 14	ROOT 15	ROOT 16	ROOT 18	ROOT 20
Dimensions							
Body length	A mm	6000	6600	7200	7800	8400	9000
Body width	B mm	2500	2500	2500	2500	2500	2500
Body height	C mm	1150	1150	1150	1150	1150	1150
Loading height	D mm	2440	2440	2440	2440	2500	2500
Overall length	E mm	7600	8200	8800	9400	10000	10600
Overall width	F mm	2760	2760	2760	2760	2760	2760
Tipped height	G mm	6700	7100	7600	8000	8600	9200
Body capacity	m³	16.20	17.80	19.70	22.20	23.02	24.02
Misc.							
Hydraulic oil	L	33.5	36.5	40.0	40.0	42.0	52.0
Number of axles				2			
Axle beam	mm/studs			2xcom/10			3xcom/10
Brake size		406x120		420x180			420x180
Brake option				H/A			
Tyre size				385/65 R22.5			
Bottom chassis		250x100 RHS		250x150 RHS			300x150 RHS
Top chassis		150x75 RHS		150x100 RHS			200x100 RHS

BAILEY TRAILERS LIMITED

Pride Parkway, Sleaford, Lincolnshire NG34 8GL

+44 (0) 1529 303411 sales@baileytrailers.co.uk baileytrailers.co.uk