

DROPSIDES

COMPACT AND VERSATILE...



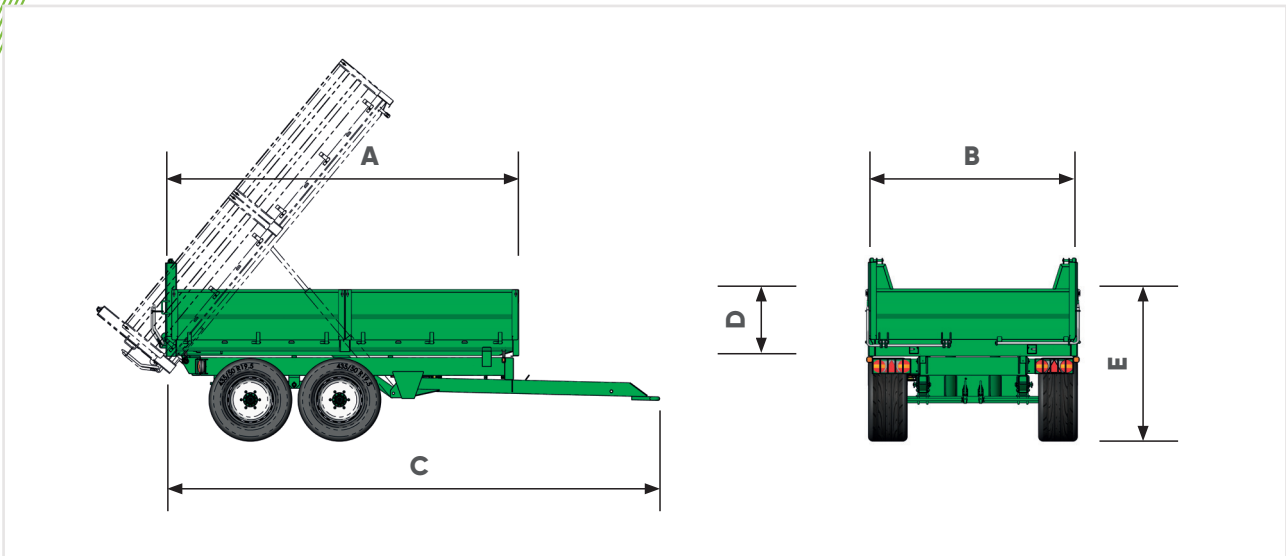
Suitable for a multitude of applications from hill farms and small construction sites, to market gardens and golf courses.

Dropsides are compact, versatile trailers designed for carrying materials such as sand, gravel, green waste and manure.

STANDARD FEATURES

- Independent hydraulic brakes
- Sprung drawbar DS12 only
- Parking brake
- High hinged tail door
- Dropsides
- LED lights
- Chromed rams
- LED beacon
- Number plate holder
- Body prop
- Anti-chip paint on headboard





Model		DS 4	DS 6	DS 8	DS 9	DS 11	DS 12
Dimensions							
Body length	A mm	3000	3450	3900	4350	4800	5400
Body width	B mm	2200	2200	2350	2350	2500	2500
Overall length	C mm	4500	4950	5400	5850	6300	6900
Body depth	D mm	450	450	525	525	600	600
Overall height	E mm	1500	1515	1700	1710	1960	2000
Misc.							
Number of axles		1	1	2	2	2	2
Axle beam	mm/studs	1x70/6		2x70/6	2x80/8	2x90/8	2xcom/10
Sprung d/bar		N/A	N/A	N/A	N/A	1100	STD
Tyre size		11.5/80x15.3	12.5/80x15.3	435/50 19.5	385/65 R22.5		

BAILEY TRAILERS LIMITED

Pride Parkway, Sleaford, Lincolnshire NG34 8GL

+44 (0) 1529 303411 sales@baileytrailers.co.uk baileytrailers.co.uk