

CONTRACT TIPPER

ON SITE OR ON FARM...



Our Contract Tipper is the perfect solution for hauling either topsoil or stone. Additionally, when specified with the optional extension sides this trailer is ideal for hauling significant amounts of grain.

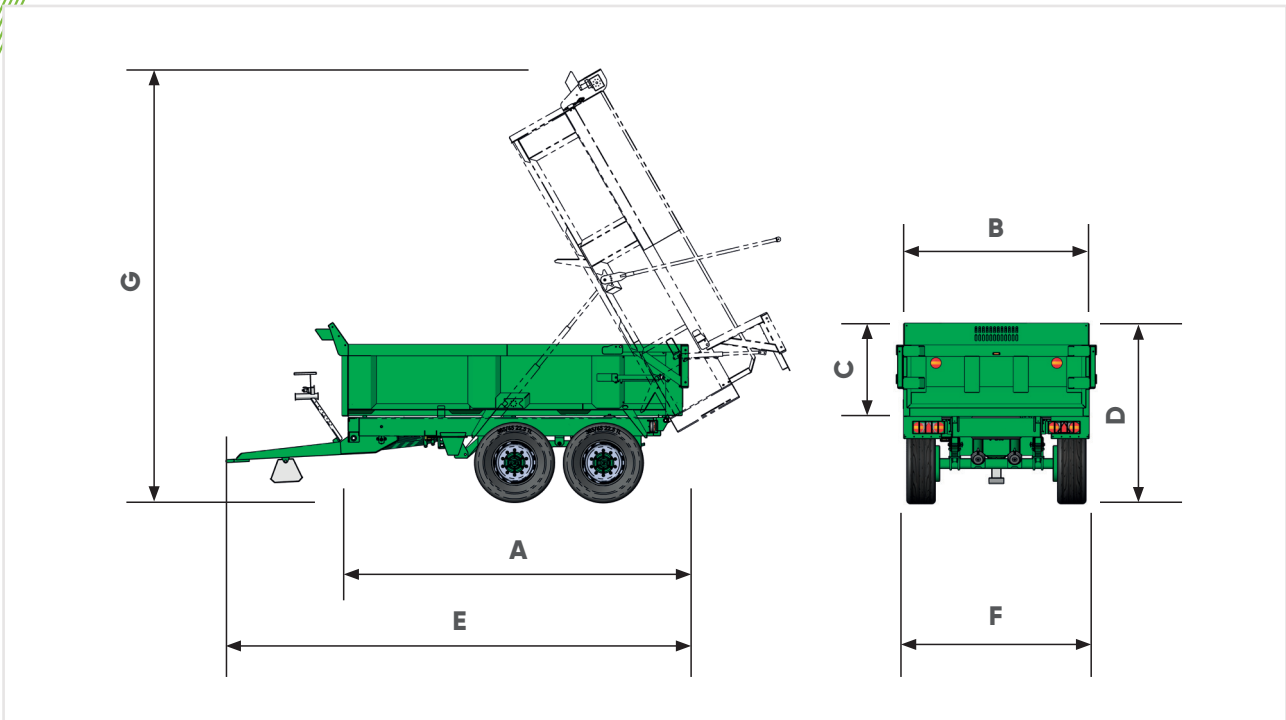
We build our Contract Tipper on a rugged, heavy-duty RHS bottom chassis. The axles are mounted on tandem springs for stability over a variety of terrains. Further strength is gained from the reinforced sides and floor, which makes this trailer a stronger option when compared to conventional grain trailers.



STANDARD FEATURES

- ▼ Air brakes with load sensing CT17-CT28
- ▼ Hydraulic door
- ▼ Hydraulic brakes
- ▼ Heavy-duty EN8 towing eye
- ▼ Parking brakes
- ▼ CT14-CT28 metal mudguards with flaps
- ▼ Extra lights on rear door
- ▼ Heavy-duty floors and sides
- ▼ Front aggregate guard
- ▼ LED lights
- ▼ LED beacon
- ▼ Chromed rams
- ▼ Body prop
- ▼ Anti-chip paint on headboard
- ▼ Sprung drawbar CT 14 -28





| Model | | CT 10 | CT 12 | CT 14 | CT 17 | CT 20 | CT 24 | CT 28 |
|-------------------|----------------------|--------------|-------|--------------|-------------|---------|--------------|---------|
| Dimensions | | | | | | | | |
| Body length | A mm | 4000 | 4500 | 5000 | 5500 | 6000 | 6500 | 7000 |
| Body width | B mm | 2500 | 2500 | 2500 | 2500 | 2500 | 2500 | 2500 |
| Body height | C mm | 700 | 750 | 900 | 1000 | 1000 | 1100 | 1100 |
| Loading height | D mm | 1775 | 2050 | 2200 | 2300 | 2450 | 2550 | 2550 |
| Overall length | E mm | 5550 | 6050 | 6550 | 7050 | 7550 | 8050 | 8550 |
| Overall width | F mm | 2640 | 2640 | 2640 | 2640 | 2640 | 2640 | 2640 |
| Tipped height | G mm | 4960 | 5180 | 5770 | 6480 | 6960 | 7400 | 7930 |
| Floor thickness | mm | 8 | 8 | 8 | 10 | 10 | 10 | 10 |
| Side thickness | mm | 6 | 6 | 6 | 8 | 8 | 8 | 8 |
| Body capacity | m³ | 6.82 | 7.90 | 10.6 | 12.9 | 14.1 | 16.6 | 18.0 |
| Misc. | | | | | | | | |
| Hydraulic oil | L | 24.6 | 40.0 | 40.0 | 40.0 | 48.8 | 60 | 65 |
| Number of axles | | 2 | | | | | | |
| Axle beam | mm/studs | 2x90/8 | | 2xcom/10 | | | 3xcom/10 | |
| Brake size | | 406x120 | | 420x180 | | 420x220 | 420x220 | 422x220 |
| Brake option | | H/A | | | | | | |
| Tyre size | | 435/50 R19.5 | | 385/65 R22.5 | | | 445/65 R22.5 | |
| Bottom chassis | | 200x100 RHS | | 250x150 RHS | | | 300x150 RHS | |
| Top chassis | | 150x75 RHS | | | 150x100 RHS | | | |

BAILEY TRAILERS LIMITED

Pride Parkway, Sleaford, Lincolnshire NG34 8GL

+44 (0) 1529 303411 | sales@baileytrailers.co.uk | baileytrailers.co.uk