

BALE & PALLET

FROM BALES TO BOXES...



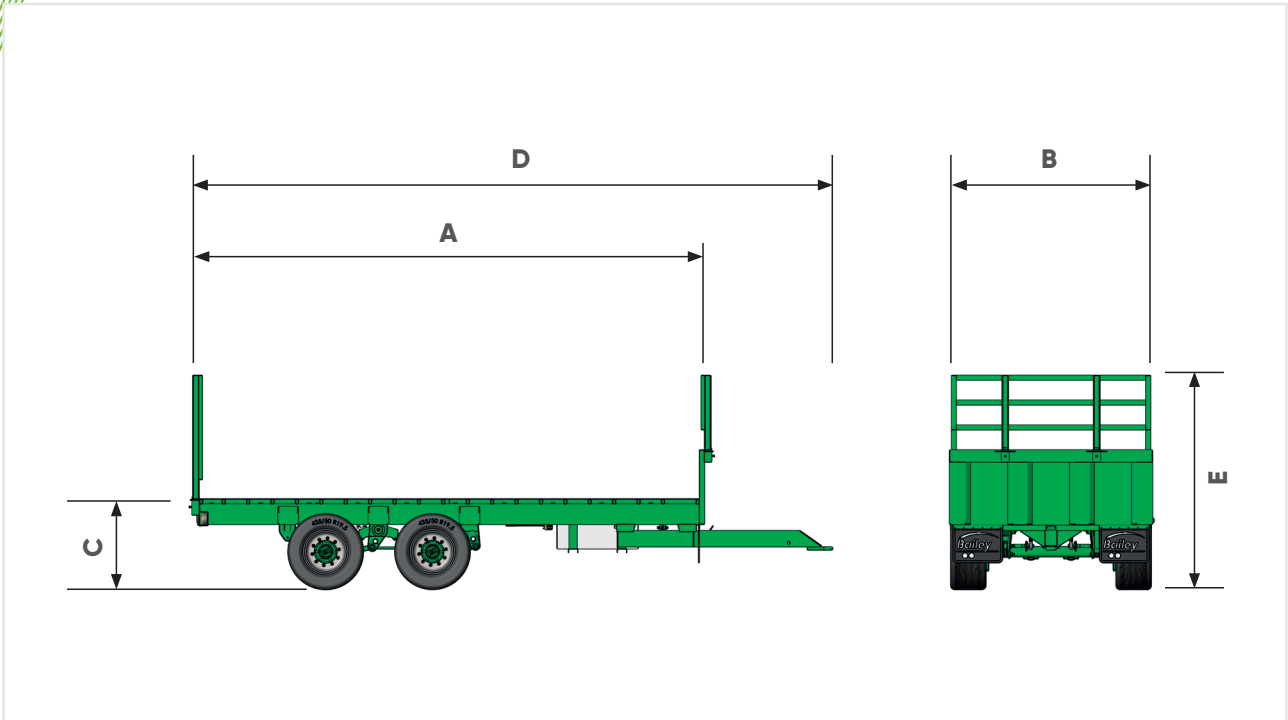
Bale and Pallet trailers are mounted on 8 or 10 mm RHS chassis with heavy-duty axles on tandem springs.

All models are 2500 mm/8'2" overall width and fitted with a 4.5 mm chequer plate floor with 60 x 40 RHS floor runners at 300 mm centres. Bale trailers have heavy-duty 8 mm side rails and a 600 mm high headboard for safe and secure loading of pallets, bags and boxes. Features include: hydraulic working platform to aid filling of potato boxes; Box Pusher and Rollover Sheet for safe transportation of load.

STANDARD FEATURES

- Independent hydraulic brakes
- Flat 16-20 air brakes and load sensing
- Parking brakes
- Heavy-duty EN8 towing eye
- Hydraulic hose carrier
- Skid & skid carrier
- Strap points
- Chequer plate floor fitted as standard; state if flat floor required
- LED lights & beacon
- Front steps
- Number plate holder
- Toolbox
- Anti-chip paint on headboard
- Fifth wheel coupling (20tonne models)
- Sprung drawbar 16 and 18 tonne models





Model	FLAT 6	FLAT 8	FLAT 10	FLAT 12	FLAT 14	FLAT 16	FLAT 18	FLAT 20		
Dimensions										
Body length	A mm	5700	6600	7500	8400	9300	10200	11100	12000	
Body width	B mm	2500	2500	2500	2500	2500	2500	2500	2500	
Loading height	C mm	1020	1070	1220	1220	1220	1220	1270	1070	
Overall length	D mm	7200	8100	9000	9900	10800	11700	12600	13500	
Overall height	E mm	2540	2590	2720	2720	2720	2720	2770	2770	
Misc.										
Number of axles		1			2				4	
Axle beam	mm/studs	1x70/6		2x90/8		2xcom/10		4xcom/10		
Brake size		300x60		350x90		420x180				
Brakes		Hydraulic Brakes					Air Brakes			
Tyre size		12.5/80x15.3		385/65 R22.5				435/50 R19.5		
Bottom chassis		200x100 RHS		250x100 RHS		250x150 RHS	300x150 RHS			

BAILEY TRAILERS LIMITED

Pride Parkway, Sleaford, Lincolnshire NG34 8GL

+44 (0) 1529 303411 sales@baileytrailers.co.uk baileytrailers.co.uk